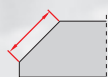


## ■ PRO-40 PBS | PIPE BEVELLING MACHINE

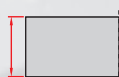
PRO 40 PBS is designed for beveling and facing pipes, tanks or tubes in a range of diameters from 200 mm to 1000 mm (8-40"). High-speed rotary milling head with replaceable inserts enables effective and efficient machining with bevel widths up to 45 mm (1-3/4") and angles between 0° and 60°. Internal beveling and J-groove end preparation is optionally available.



Use of heavy duty milling head in PRO 40 PBS offers accurate bevels in a fraction of the time compared to traditional single point machining. This feature saves time and money by excellent efficiency.



Max bevel  
width 45 mm



Min. wall  
thickness 5 mm



Bevel angle  
from -60° to 60°



Pipe OD  
200-1000 mm



Facing off



Pipe ID  
beveling



Pipe OD  
beveling

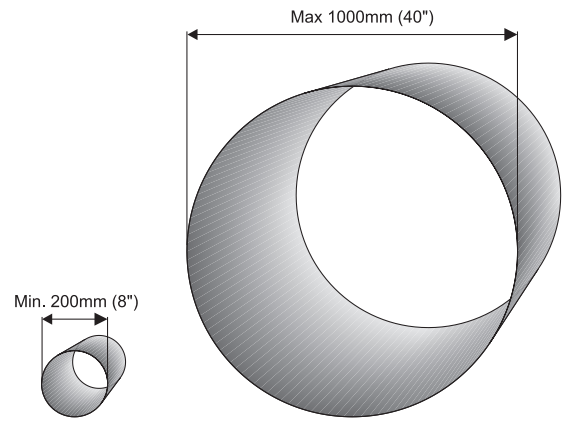


Pipe J-groove beveling

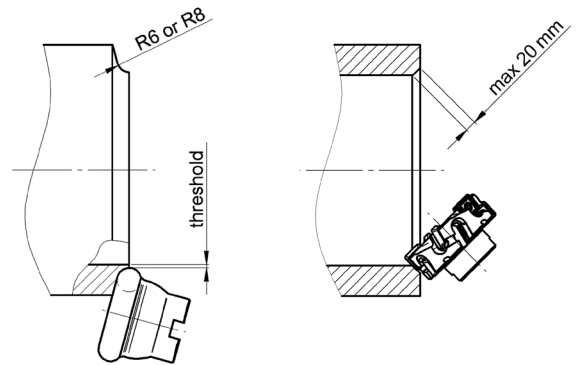
PRO 40 PBS Technical specification	
Power supply	1~ 208 - 230 V, 50/60 Hz 3~ 208 - 230 V, 50/60 Hz
External pipe diameter range	200-1000 mm (8" - 40") pipes longer than 830 mm; 200-600 mm (8" - 23-5/8") pipes of 400-830 mm length
Maximum allowed pipe weight	10 000 kg (22 000 lbs)*, if active support equipped with optional steel rollers
Min. pipe wall thickness	5 mm (3/16")
Pipe fixing	mechanical with chain
Feed rate	100-1100 mm/min
Beveling angle range	0-60° with continuous angle adjustment
Max OD bevel width	45 mm (1-3/4")
Max ID bevel width	5 mm (1/4") standard, up to 20 mm ("13/16) - option
Beveling type „J”	YES - option
„J” type beveling radius	0.24 in./6 mm or 0.31 in./8 mm
Product Code	UKS-0436-10-20-00-1

\* 6000 kg (13 200 lbs) for plastic rollers of active support (standard)

Range of diameters from 200 mm up to 1000 mm (8-40")



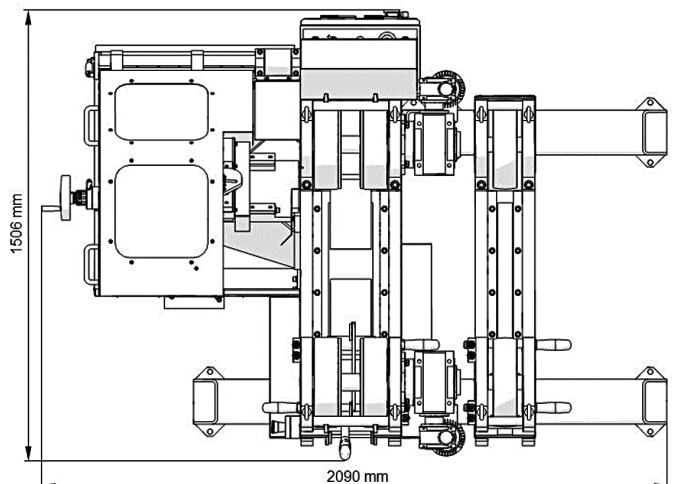
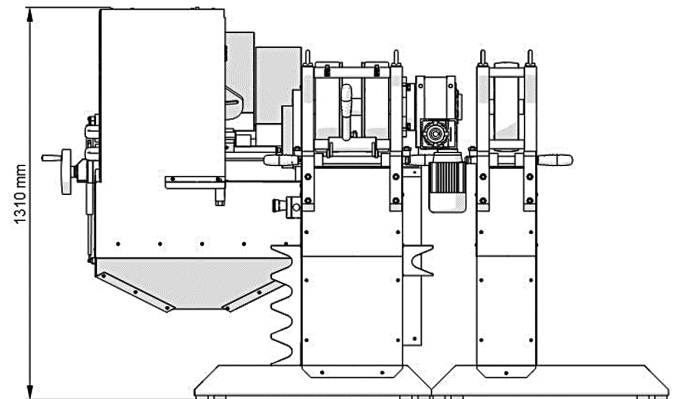
Operations with optional milling heads



### Standard shipping set:

- stationary pipe beveling machine
- active support (with plastic rollers)
- passive support (with steel rollers)
- standard milling head with 7 cutting inserts
- set of guiding chains
- 10 mm hex wrench
- 8 mm hex wrench
- 5 mm hex wrench
- torx T15P screwdriver
- Operator's Manual
- wooden box

Overall dimensions:



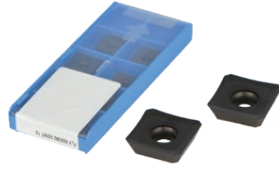
User-friendly control panel

## Beveling - standard accessories

---



GLW-000013  
Standard Milling head  
(7 inserts required)



PLY-000282  
Cutting insert for beveling  
1pc (sold 10pcs/box)



PLY-000591  
Cutting insert HD for beveling  
1pc (sold 10pcs/box)



SRB-000311  
Insert fixing screw for  
PLY-000282/PLY-000591

## J-Groove Beveling - option

---



GLW-000014  
J-groove R6 milling head  
(6 inserts R6 required)



PLY-000422  
Cutting insert for J groove R6  
end preparation 1pc (sold 10pcs/box)



SRB-000297  
Insert fixing screw for  
PLY-000422



GLW-000015  
J-groove R8 milling head  
(5 inserts R8 required)



PLY-000424  
Cutting insert for J groove R8  
end preparation 1pc (sold 10pcs/box)



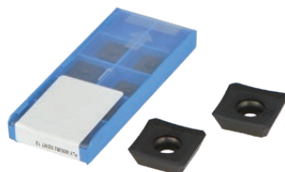
SRB-000367  
Insert fixing screw for  
PLY-000424

## Internal Beveling - option

---



GLW-0436-19-00-00-0  
Milling head for internal beveling



PLY-000282  
Cutting inserts for beveling  
1pc (sold 10pcs/box)



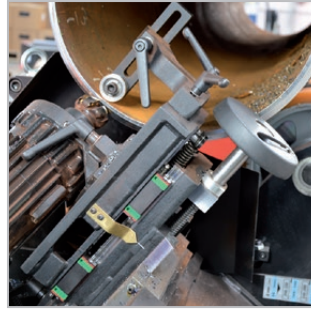
SRB-000311  
Insert fixing screw for  
PLY-000282

### Beveling of short pipes - option



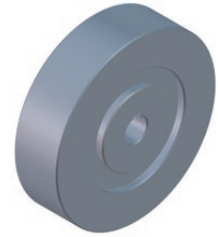
DCS-0436-99-00-00-0  
Clamping device for short pipes  
of 400-830 mm length

### Beveling of oval pipes - option



WSP-0436-24-00-00-0  
Oval pipe tracking attachment  
(enables consistent land/root face thickness)  
Available either with brand new  
machine or for retrofitting

### Beveling pipes up to 10 tons -option



KOL-0436-23-00-00-0  
Steel roll for active pipe  
support 1pc (4pcs required)

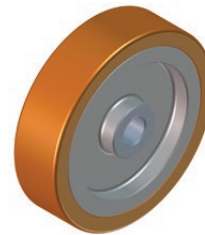
### Stainless Steels Beveling - option



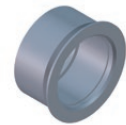
LNC-0436-25-01-00-0  
Set of guiding chains  
for Stainless Steel



DCS-0436-25-10-00-0  
Clamping device for short  
Stainless Steel pipes



KOL-000077  
Wheel with Vulkollan tire  
1pc (2 pcs needed)



RLK-0436-25-11-00-0  
Stainless  
Steel roll for  
oval pipe tracking attachment

### Features and benefits



Shields and internal lighting increase  
safety and comfort of the operator



Adjustable chain  
( $\varnothing$  200-1000 mm) ensures  
positive axial rotation



Heavy-duty adjustable pipe  
support ( $\varnothing$  200-1000 mm)

All information is subject to change without notice. 1912



PROMOTECH Sp. z o.o.  
ul. Elewatorska 23/1, 15-620 BIAŁYSTOK, POLAND  
tel. (+48 85) 678 34 05, fax (+48 85) 662 78 77  
marketing@promotech.eu www.promotech.eu

Your local dealer:

